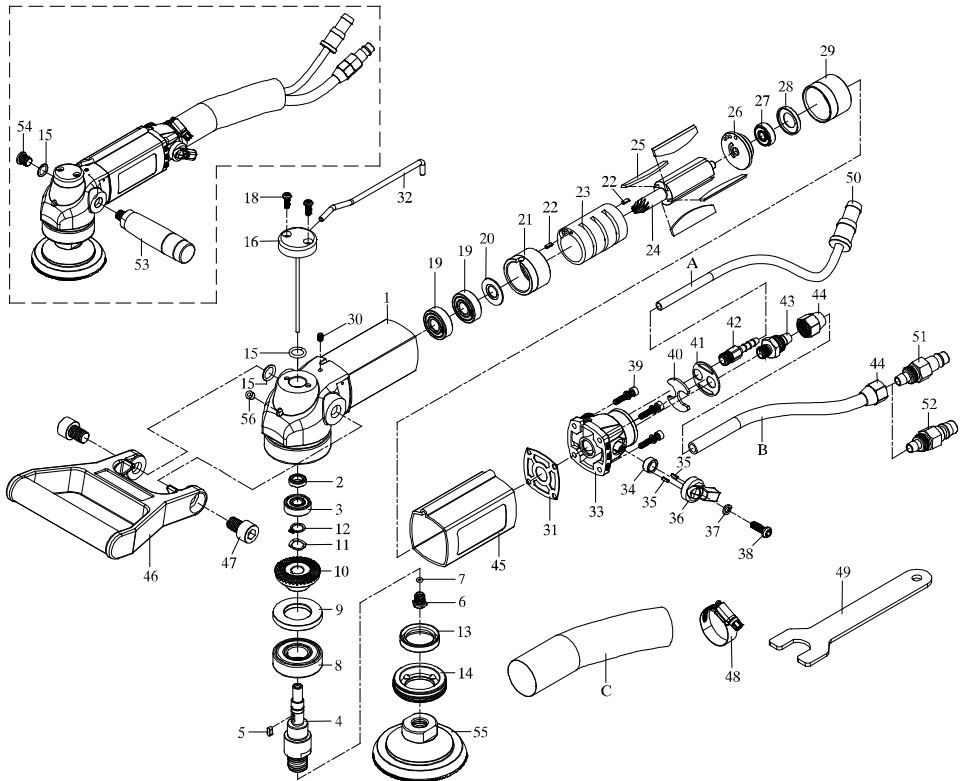


# Spare Parts List



No.	Description	Part No.	No.	Description	Part No.	No.	Description	Part No.
1	Body	356,654	21	Cylinder Cap	356,859	41	Fixed Plate	357,065
2	Oil Seal	356,662	22	Spring Pin	356,867	42	Water Valve	357,073
3	Bearing	356,670	23	Cylinder	356,875	43	Air Inlet Nozzle	357,081
4	Main Shaft	356,689	24	Rotor	356,883	44	Hose Adaptor	357,103
5	Locking Key	356,697	25	Blade	356,891	45	Rubber Sleeve	357,111
6	Water Exit	356,700	26	Rear Cylinder Cap	356,905	46	C Handle	357,138
7	O-Ring	356,719	27	Bearing	356,913	47	Screw	357,146
8	Bearing	356,727	28	Dust-Proof Plug	356,921	48	Retainer Ring	357,154
9	Washer	356,735	29	Cylinder Bushing	356,948	49	Stop Spanner	357,162
10	Spiral Gear	356,743	30	Set Screw	356,956	50	Water Valve	357,170
11	Wave Washer	356,751	31	Gasket	356,964	51	1/4" Plug (Orion)	357,189
12	Retaining Ring	356,778	32	Water Inlet Tube	356,972	52	1/4" Plug (Nitto)	357,197
13	Oil Seal	356,786	33	Exhaust Plate Set	356,980	53	Side Handle	357,200
14	Locking Screw Cap	356,794	34	Bushing	356,999	54	Cap Screw	357,219
15	O-Ring	356,808	35	Spring Pin	357,006	55	Sanding Pad	357,251
16	Water Inlet Transfer Post w/brass tube	356,816	36	Shifting Knob	357,014	56	Grease Hole	357,278
18	Screw	356,824	37	Spring Washer	357,022	A	Water Hose	357,227
19	Bearing	356,832	38	Cap Screw	357,030	B	Air-Inlet Tube	357,235
20	Rubber Ring	356,840	39	Cap Screw	357,049	C	Air Exhaust Tube	357,243
			40	Muffler Gasket	357,057			