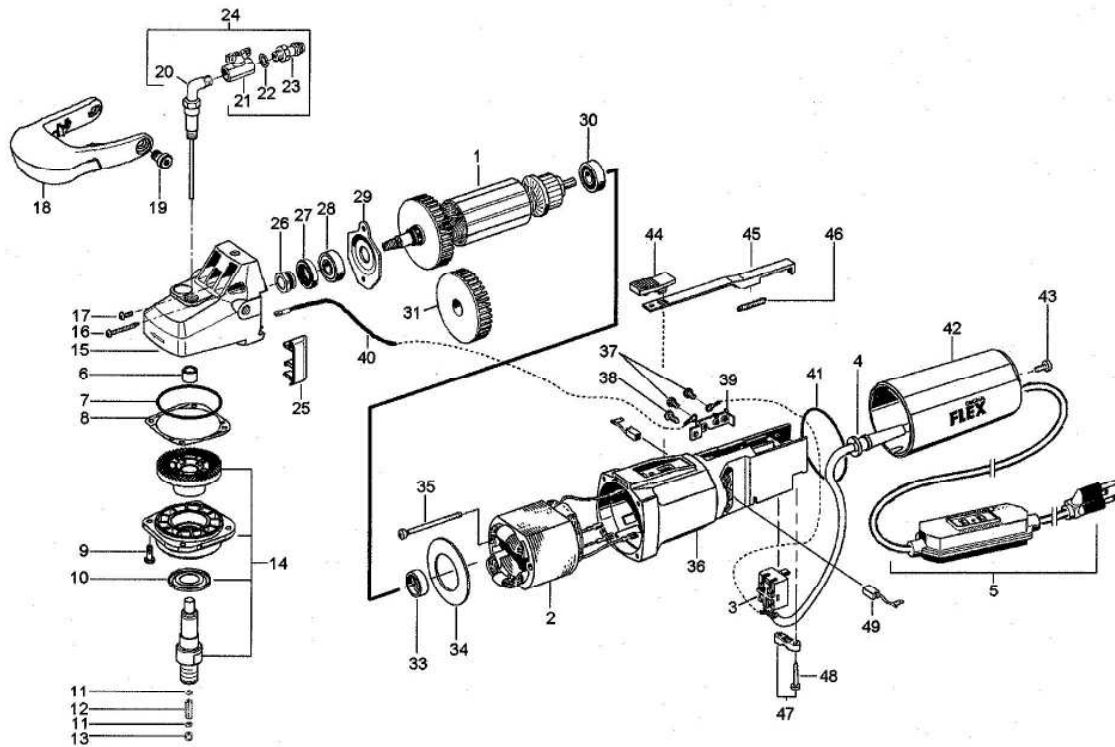


# FLEX

## WET POLISHER

**WARNING:** Electrical repairs should only be attempted by trained repairmen. Contact the nearest FLEX- Porter-Cable Service Center or other competent repair center.

**LW1703**  
120/USA



Ref. No.	Part No.	Description
1	310425	Armature
2	293083	Field
3	258757	Switch
4	218294	Cable Clamp
5	290521	Cord
6	199141	Bearing
7	159204	O-Ring
8	257602	Washer
9	257782	Screw
10	257591	Seal
11	113263	Ring
12	113247	Stuffing Box
13	113271	Pin
14	314366	Gear Shaft Assembl.
15	309745	Gear Housing
16	195693	Screw
17	258573	Screw
18	293709	Handle
19	255964	Screw
20	305626	Bracket
21	251646	Ball Valve
22	251648	Sealing
23	251650	Connector
24	306231	Water Inlet
25	258856	Air Guide
26	292478	Bushing
27	256157	Seal
28	305286	Bearing
29	257289	Bearing Cover
30	254443	Bearing

Ref. No.	Part No.	Description
31	235164	Fan
33	209139	Bearing Ring
34	159247	Air Guide
35	255954	Screw
36	255953	Motor Housing
37	258573	Screw
38	195715	Screw
39	280259	Plate
40	277436	Wire
41	159204	O-Ring
42	309729	Cover
43	195715	Screw
44	211451	Control Lever
45	225304	Switch Rod
46	195820	Spring
47	292923	Cable Clamp
48	213373	Screw
49	280291	Brush

\*\* 255691 Grease

\*\* NOT SHOWN

# LW 1703 (230/CEE) (110/CEE)

Teile-Nr. 306.320 Printed in Germany 02/05

