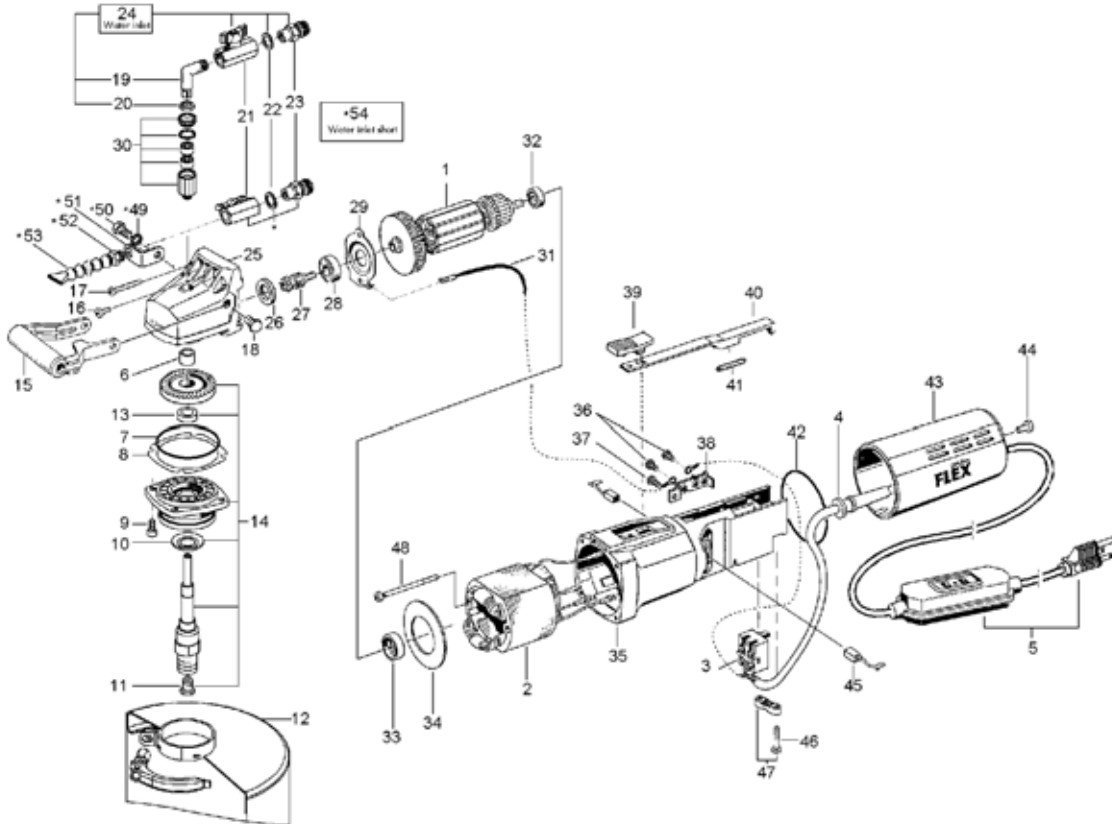


# FLEX

## WET GRINDER

WARNING: Electrical repairs should only be attempted by trained repairmen. Contact the nearest Authorized Service Station.

LW1509  
120/USA



Ref. No.	Part No.	Description
1	241334	Armature
2	293067	Field
3	258757	Switch
4	218294	Cable Clamp
5	290521	Cord
6	199141	Bearing
7	159204	O-Ring
8	257571	Washer
9	257782	Screw
10	268011	Seal
11	293105	Nozzle
12	289183	Splash Guard
13	264.466	Pin
14	289167	Gear Shaft Assembl.
15	236934	Handle
16	258573	Screw
17	195693	Screw
18	244155	Screw
19	251647	Bracket
20	291862	Hex Nut
21	251646	Ball Valve
22	251648	Sealing
23	251650	Connector
24	292168	Water Inlet
25	276634	Gear Housing
26	256157	Bushing
27	255940	Pinion
28	254442	Bearing
29	256182	Bearing Cover
30	291811	Bushing
31	290513	Wire

Ref. No.	Part No.	Description
32	254.443	Bearing
33	209.139	Bearing Ring
34	159.247	Air Guide
35	254.379	Motor Housing
36	258.573	Screw
37	195.715	Screw
38	280.259	Plate
39	211.451	Control Lever
40	225.304	Switch Rod
41	195.820	Spring
42	159.204	O-Ring
43	294.691	Cover
44	195.715	Screw
45	250.816	Brush
46	213.373	Screw
47	292.923	Cable Clamp
48	225.347	Screw
49	293725	Washer
50	239356	Screw
51	252398	Holder For Water Feed
52	256843	Coupling
53	252399	Water Feed Flexible
54	252407	Water Inlet Short

\*\* 255691 Grease

\*\* NOT SHOWN