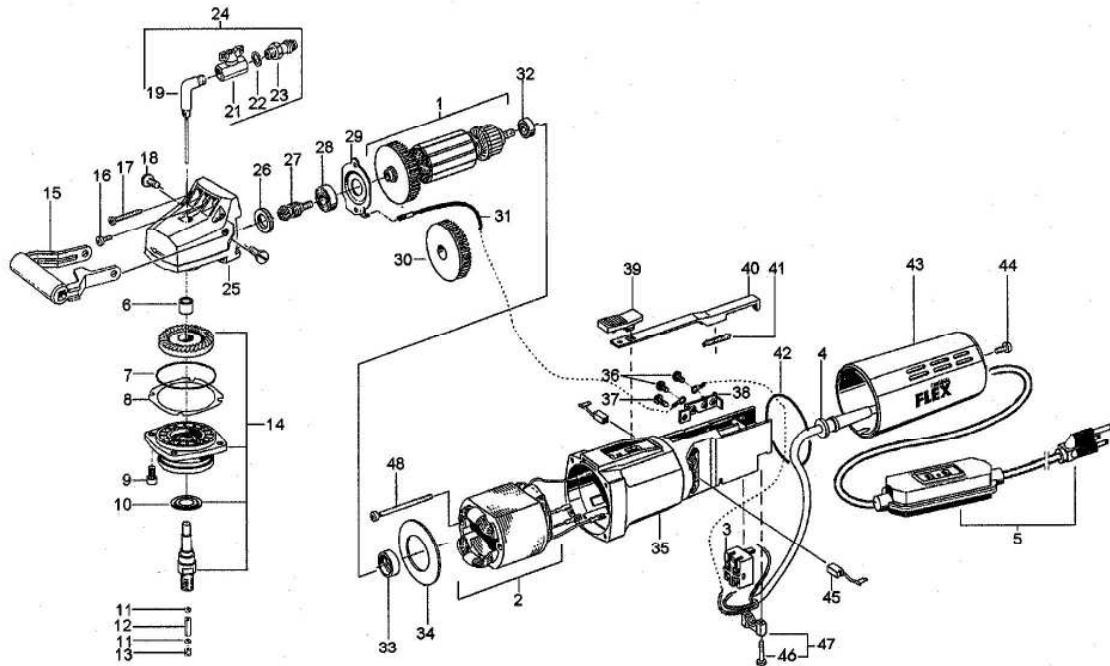


FLEX

WET POLISHER

WARNING: Electrical repairs should only be attempted by trained repairmen. Contact the nearest FLEX- Porter-Cable Service Center or other competent repair center.

LW1503
120/USA



Ref. No.	Part No.	Description
1	241334	Armature
2	293067	Field
3	258757	Switch
4	218294	Cable Clamp
5	290521	Cord
6	199141	Bearing
7	159204	O-Ring
8	257571	Washer
9	257782	Screw
10	268011	Seal
11	113263	Ring
12	113247	Stuffing Box
13	113271	Pin
14	286796	Gear Shaft Assembl.
15	236934	Handle
16	258573	Screw
17	195693	Screw
18	244155	Screw
19	252448	Bracket
21	251646	Ball Valve
22	251648	Sealing
23	251650	Connector
24	252444	Water Inlet
25	276634	Gear Housing
26	256157	Bushing
27	164089	Pinion
28	305286	Bearing
29	256182	Bearing Cover
30	235164	Fan
31	290513	Wire

Ref. No.	Part No.	Description
32	254443	Bearing
33	209139	Bearing Ring
34	159247	Air Guide
35	254379	Motor Housing
36	258573	Screw
37	195715	Screw
38	280259	Plate
39	211451	Control Lever
40	225304	Switch Rod
41	195820	Spring
42	159204	O-Ring
43	309729	Cover
44	195715	Screw
45	250816	Brush
46	213373	Screw
47	292923	Cable Clamp
48	225347	Screw

** 255691 Grease

** NOT SHOWN